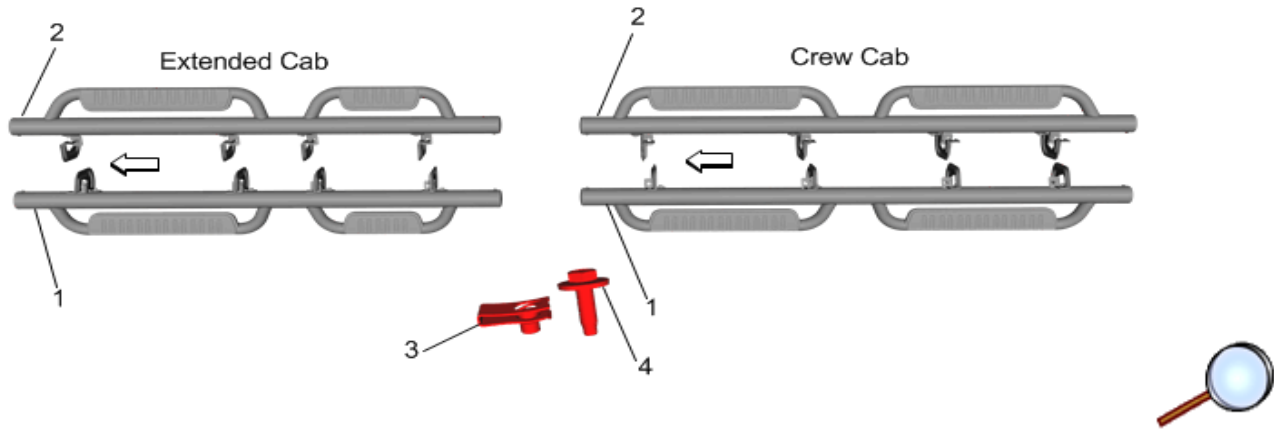


Assist Step Kit Installation (Tubular Assist Step)

[Installation Instructions Part Number](#)

22929624



Kit Contents

Item	Description	Qty:
1	Tube Assembly Left Side	1
2	Tube Assembly Right Side	1
3	M8 U-Nut	16
4	M8 Bolt	16
5	Instruction Sheet	1

[Torque Table](#)

8mm Hardware torque to 25 Y (18 lb ft)

[Tools Required](#)

- Torque Wrench
- 13mm Socket
- 3/8" drive Ratchet
- 3" 3/8" drive extension

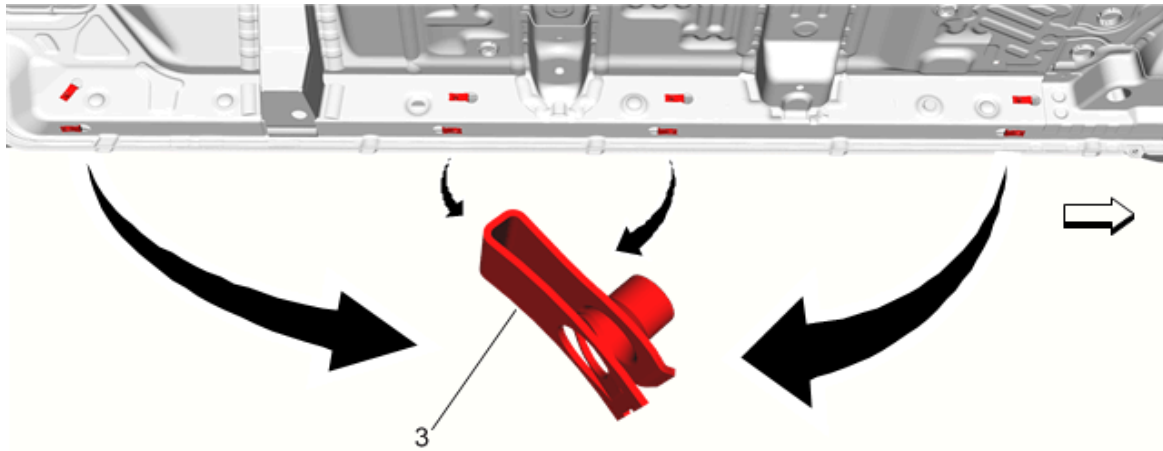
[Procedure](#)

Note: Read entire instruction sheet (5) thoroughly before starting.

Note: Determine LH tube assembly (1) and RH tube assembly (2).

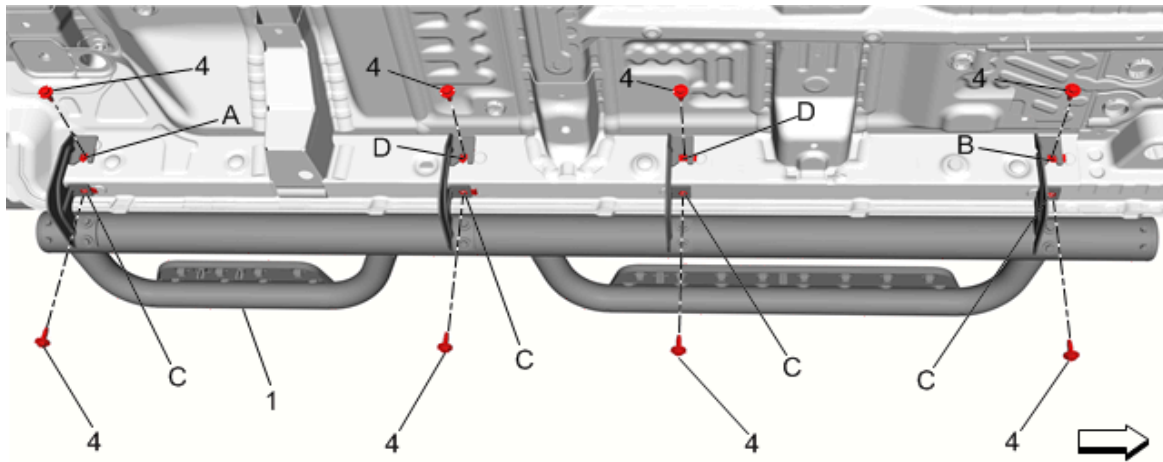
© 2014 General Motors. All rights reserved.

Caution: Use the correct fastener in the correct location. Replacement fasteners must be the correct part number for that application. Fasteners requiring replacement or fasteners requiring the use of thread locking compound or sealant are identified in the service procedure. Do not use paints, lubricants, or corrosion inhibitors on fasteners or fastener joint surfaces unless specified. These coatings affect fastener torque and joint clamping force and may damage the fastener. Use the correct tightening sequence and specifications when installing fasteners in order to avoid damage to parts and systems.



1. Install the eight - U-nuts (3) into existing holes on rocker inner panel. Refer to graphic for locations and orientation of U-nuts. Install the U-nuts with the threads inside the rocker inner panel.

Note: Some vehicles may have hole plugs that will need to be removed and discarded to install the U-nuts.



2. Loosely install one M8 bolt (4) in the top U-nut position (A) for the rear bracket.
3. Position the Tube Assembly LH side (1) to the rocker inner panel and secure by hanging rear bracket on bolt. Hang the front bracket by loosely installing one M8 bolt (4) in the top U-nut position (B).
4. From underneath, loosely insert four M8 bolts (4) through bracket, rocker inner panel and into lower four U-nut positions (C).

5. Loosely insert two M8 bolts (4) through the bracket and into the top U-nut positions (D) for the middle brackets.
6. Tighten the M8 bolts in lower positions to 25 Y (18 lbft). Order as follows: front, rear, and middle to ensure proper assembly.
7. Repeat previous step for the upper positions. Tighten bolts to 25 Y (18 lbft).
8. Repeat steps 1 through 7 for Tube Assembly RH (2).
9. Verify correct torque on all hardware.