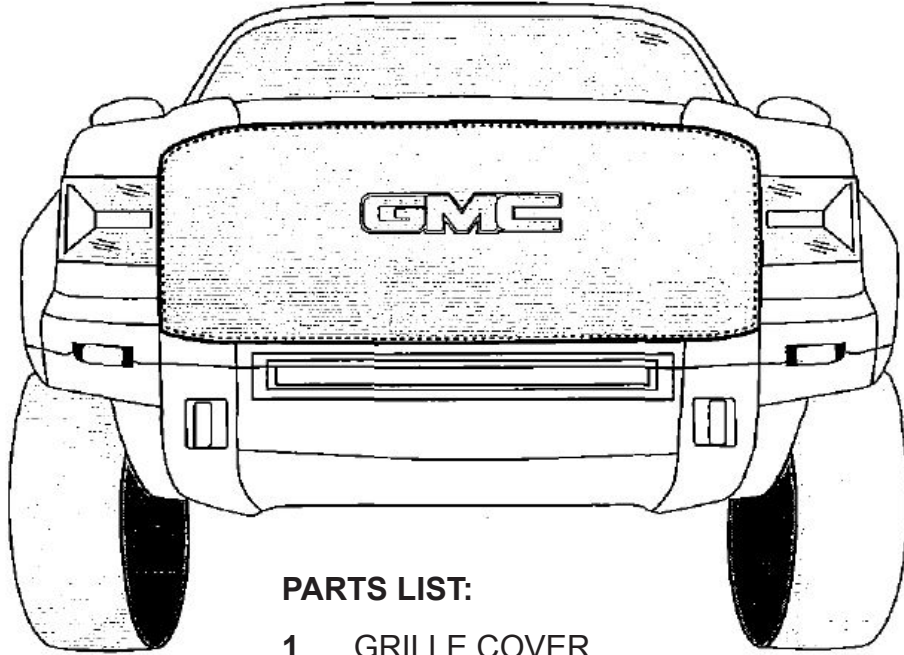


INSTALLATION GUIDE FOR YOUR

**GMC
WINTERFRONT**



PARTS LIST:

- 1 GRILLE COVER
- 1 INSTRUCTION SHEET

CARE INSTRUCTIONS - READ CAREFULLY

1. Keep the underneath of your Winterfront as clean as possible at all times. Remove monthly or as necessary and clean away dust and debris.
2. Freshly repainted areas of your vehicle in contact with the Winterfront must be completely cured. Check with your painter about adequate cure times.
3. When you first try to fit the Winterfront it may appear to be undersized. This is due to the nature of the special vinyl used which will stretch during installation to insure a tight fit. For this reason, initial installation of the Winterfront is best performed when the Winterfront is warm.
4. Use only a mild soap to clean your Winterfront. Do not use harsh soap, strong detergents or vinyl protectant / sealant type products as they may destroy the special finish of your new Winterfront. Allow your Winterfront to dry completely before reinstalling on your vehicle.
5. DURING TEMPERATURES ABOVE (32° F / 0° C) YOU MUST REMOVE THE WINTERFRONT TO PREVENT OVERHEATING.
6. Remove Winterfront before towing a trailer of any size. Failure to do so will decrease transmission cooling efficiency and possibly cause damage to drivetrain.

GMC Winter Fronts Cover Accessory

IR 05DE14

PART NO.

22808190

SHEET

1

OF

6

ALL INFORMATION WITHIN ABOVE BORDER TO BE PRINTED EXACTLY AS SHOWN ON 8.5 x 11 WHITE 16 POUND NON-BOND RECYCLABLE PAPER. PRINT ON BOTH SIDES, EXCLUDING TEMPLATES. TO BE UNITIZED IN ACCORDANCE WITH GM SPECIFICATIONS.

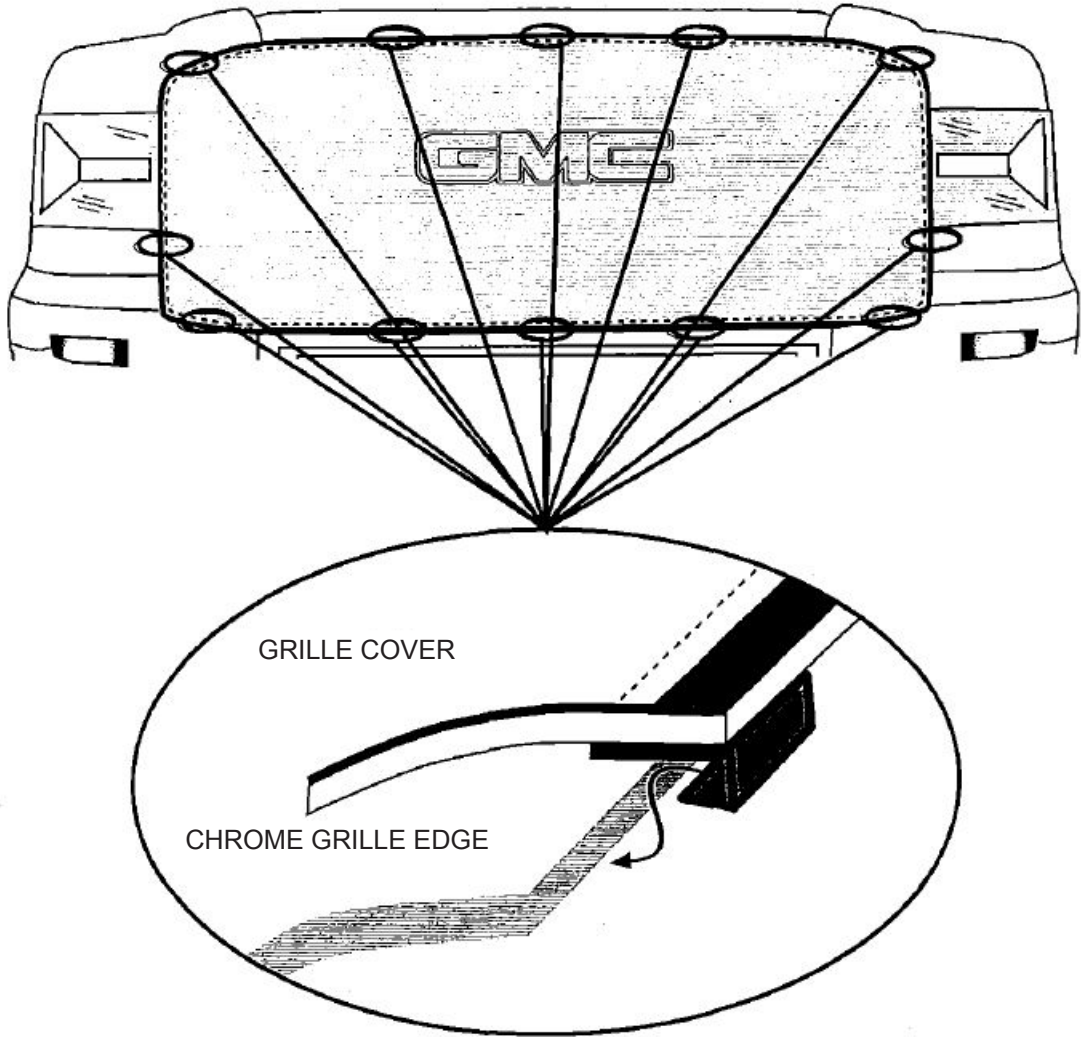
DATE	REVISION	AUTH	DR
05DE14	Initial Release - Doris Hollins	2096610	

TITLE	INSTALLATION INSTRUCTIONS GMC Winter Fronts Cover Accessory		
PART NO.	22808190	SHEET	1 OF 6

GRILLE COVER

STEP 1: Attach fastening points as illustrated.

Make sure that the white product I.D. label is oriented to top and is located on the back side of cover.



GRILLE COVER

CHROME GRILLE EDGE

GMC Winter Fronts Cover Accessory

IR 05DE14

PART NO. **22808190**

SHEET **2** OF **6**

ALL INFORMATION WITHIN ABOVE BORDER TO BE PRINTED EXACTLY AS SHOWN ON 8.5 x 11 WHITE 16 POUND NON-BOND RECYCLABLE PAPER. PRINT ON BOTH SIDES, EXCLUDING TEMPLATES. TO BE UNITIZED IN ACCORDANCE WITH GM SPECIFICATIONS.

DATE	REVISION	AUTH	DR
05DE14	Initial Release - Doris Hollins	2096610	

TITLE	INSTALLATION INSTRUCTIONS GMC Winter Fronts Cover Accessory		
PART NO.	22808190	SHEET	2 OF 6

GUÍA DE INSTALACIÓN DE WINTERFRONT PARA GMC



LISTA DE PARTES:

- 1 CUBIERTA DE PARRILLA
- 1 HOJA DE INSTRUCCIONES

INSTRUCCIONES DE CUIDADO- LEA CON ATENCIÓN

1. Siempre mantenga la parte interior del Winterfront lo mas limpia o posible. Desmonte la cubierta mensualmente o cuando sea necesario y limpiela del polvo y los desechos.
2. Las áreas de su vehiculo que hayan sido vuelta a pintar y que entren en contacto con el Winterfront deben estar completamente secas. Consulte al pintor sobre los tiempos adecuados de secado.
3. Cuando intente colocar el Winterfront por primera vez, parecerá que este es más pequeño de lo que debería ser. Esto se debe a la naturaleza del vinilo especial del que está hecho. Este se estirará durante la instalación para asegurar un calce ajustado. Por este motivo, la Instalación inicial se realizará mejor cuando el Winterfront este tibio.
4. Para limpiar el Winterfront, utilice solo jabón neutro. No utilice jabones ni detergentes fuertes, ni productos protectores o selladores de vinilo. Estos pueden dañar el acabado especial del Winterfront. Deje que el Winterfront se seque completamente antes de volver a instalarlo en el vehiculo.
5. ANTE TEMPERATURAS SUPERIORES A 32° F / 0° C, DEBE QUITAR EL WINTERFRONT PARA PREVENIR SOBRECIENTAMIENTO.
6. Desmonte el Winterfront antes de remolcar un tráiler, independiente de su tamaño. No realizar esta acción ya que, disminuirá la efectividad de enfriamiento de la transmisión y puede causar daños al tren de transmisión.

GMC Winter Fronts Cover Accessory

IR 05DE14

PART NO.

22808190

SHEET

3 OF 6

ALL INFORMATION WITHIN ABOVE BORDER TO BE PRINTED EXACTLY AS SHOWN ON 8.5 x 11 WHITE 16 POUND NON-BOND RECYCLABLE PAPER. PRINT ON BOTH SIDES, EXCLUDING TEMPLATES. TO BE UNITIZED IN ACCORDANCE WITH GM SPECIFICATIONS.

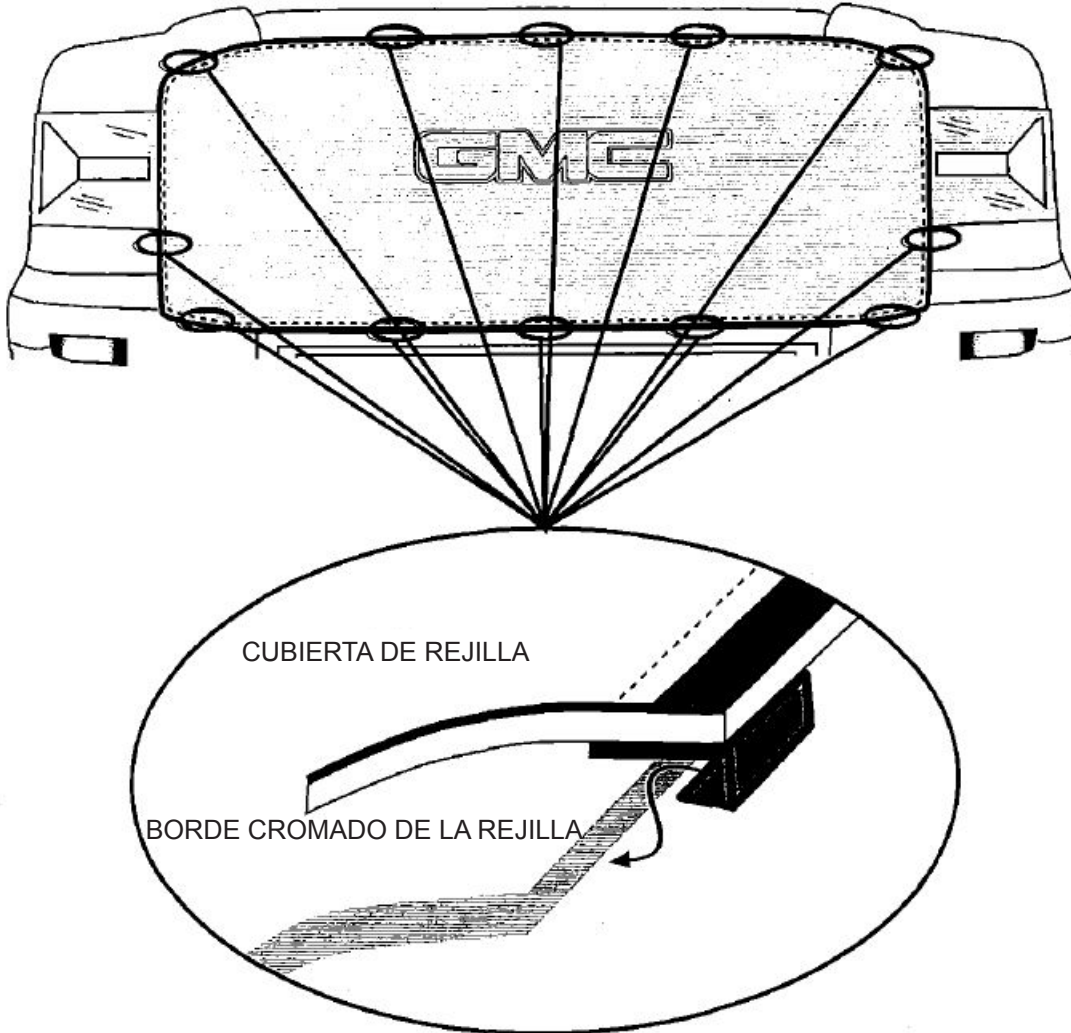
DATE	REVISION	AUTH	DR
05DE14	Initial Release - Doris Hollins	2096610	

TITLE	INSTALLATION INSTRUCTIONS GMC Winter Fronts Cover Accessory		
PART NO.	22808190	SHEET	3 OF 6

CUBIERTA DE PARILLA

PASO 1: Sujete los puntos de anclaje tal como se muestra en la ilustración.

Compruebe que la etiqueta blanca con el ID del producto esté orientada hacia arriba y ubicada en la parte interior de la cubierta.



GMC Winter Fronts Cover Accessory

IR 05DE14

PART NO.

22808190

SHEET

4

OF

6

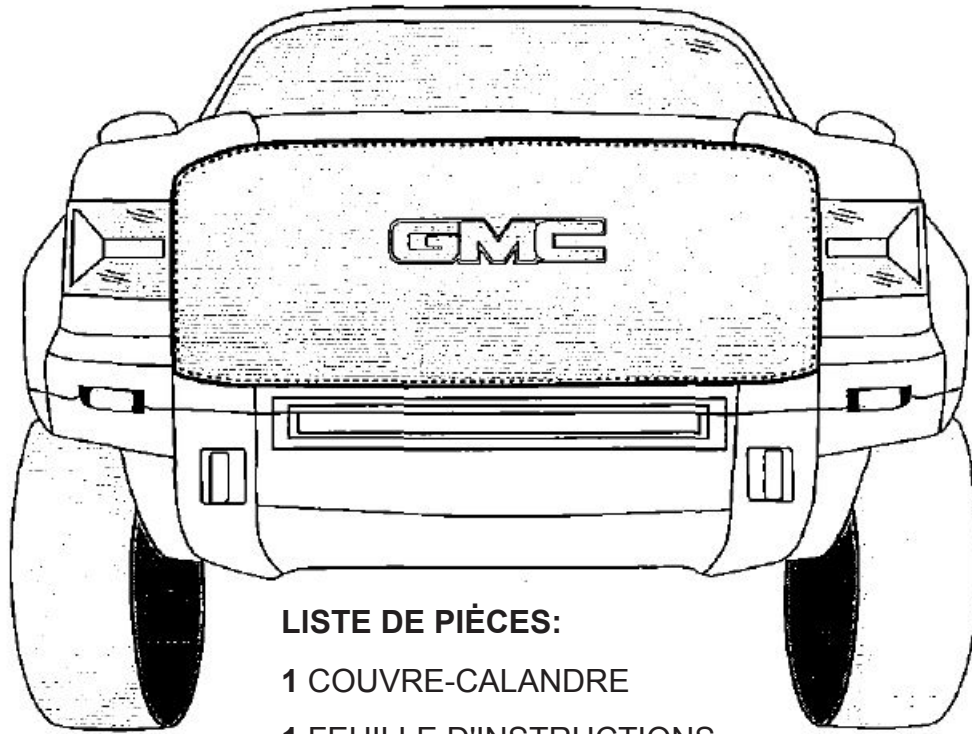
ALL INFORMATION WITHIN ABOVE BORDER TO BE PRINTED EXACTLY AS SHOWN ON 8.5 x 11 WHITE 16 POUND NON-BOND RECYCLABLE PAPER. PRINT ON BOTH SIDES, EXCLUDING TEMPLATES. TO BE UNITIZED IN ACCORDANCE WITH GM SPECIFICATIONS.

DATE	REVISION	AUTH	DR
05DE14	Initial Release - Doris Hollins	2096610	

TITLE
INSTALLATION INSTRUCTIONS GMC Winter Fronts Cover Accessory
PART NO. 22808190
SHEET 4 OF 6

GUIDE DE POSE DU COUVRE-CALANDRE D'HIVER DE VOTRE

GMC



LISTE DE PIÈCES:

1 COUVRE-CALANDRE

1 FEUILLE D'INSTRUCTIONS

INSTRUCTIONS D'ENTRETIEN - LIRE ATTENTIVEMENT

1. Gardez toujours le dessous de votre couvre-calandre d'hiver le plus propre possible. Retirez-le chaque mois ou au besoin afin de retirer la poussière et les débris.
2. Les sections fraîchement repeintes de votre véhicule en contact avec le couvre-calandre doivent être entièrement sèches. Demandez au peintre le temps de séchage à respecter.
3. Lors de l'ajustement initial, le couvre-calandre peut sembler trop étroit. Cela est dû à la nature du vinyle spécial utilisé qui s'étirera lors de la pose pour assurer un ajustement parfait. Pour cette raison, la pose initiale du couvre-calandre est plus facile lorsque ce dernier est chaud.
4. Utilisez uniquement du savon doux pour nettoyer votre couvre-calandre. N'utilisez pas de savon rude ni de détergents, de protecteur pour vinyle ou de produits d'étanchéité puissants, car ils pourraient détruire la finition spéciale de votre couvre-calandre d'hiver neuf. Laissez sécher entièrement votre couvre-calandre avant de le poser de nouveau sur votre véhicule.
5. LORSQUE LA TEMPÉRATURE EST SUPÉRIEURE À 0 °C (32 OF), VOUS DEVEZ RETIRER LE COUVRE-CALANDRE POUR ÉVITER LA SURCHAUFFE.
6. Retirez le couvre-calandre avant de tirer une remorque, peu importe sa taille, sinon vous risqueriez de réduire l'efficacité du refroidissement de la boîte de vitesses et pourriez endommager la transmission.

GMC Winter Fronts Cover Accessory

IR 05DE14

PART NO.

22808190

SHEET

5 OF 6

ALL INFORMATION WITHIN ABOVE BORDER TO BE PRINTED EXACTLY AS SHOWN ON 8.5 x 11 WHITE 16 POUND NON-BOND RECYCLABLE PAPER. PRINT ON BOTH SIDES, EXCLUDING TEMPLATES. TO BE UNITIZED IN ACCORDANCE WITH GM SPECIFICATIONS.

DATE	REVISION	AUTH	DR
05DE14	Initial Release - Doris Hollins	2096610	

TITLE

**INSTALLATION INSTRUCTIONS
GMC Winter Fronts Cover Accessory**

PART NO.

22808190

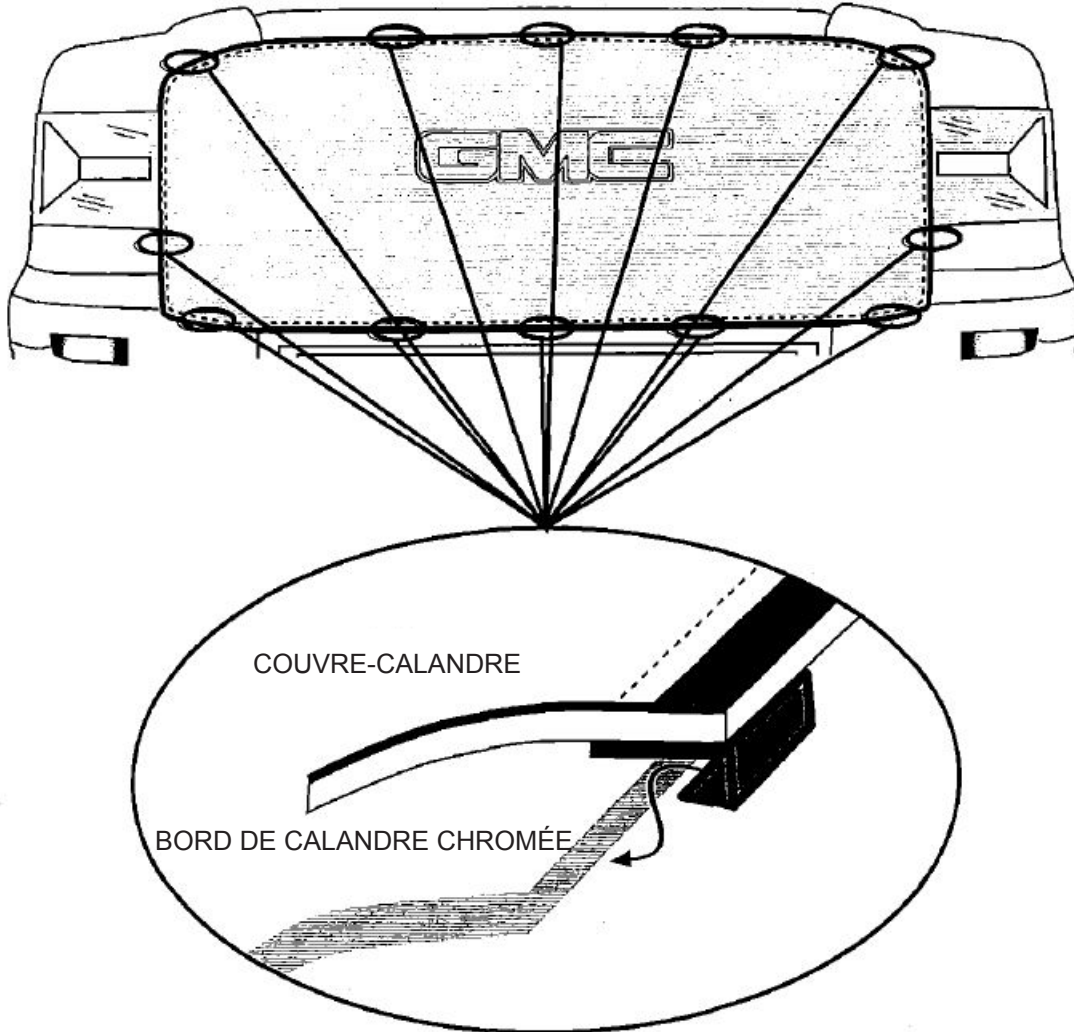
SHEET

5 OF 6

COUVRE-CALANDRE

ÉTAPE 1 : Attachez les points de fixation comme sur l'illustration.

Assurez-vous que l'étiquette blanche d'identification du produit est orientée vers le haut et se trouve au verso du couvre-calandre.



COUVRE-CALANDRE

BORD DE CALANDRE CHROMÉE

GMC Winter Fronts Cover Accessory

IR 05DE14

PART NO.

22808190

SHEET

6 OF 6

ALL INFORMATION WITHIN ABOVE BORDER TO BE PRINTED EXACTLY AS SHOWN ON 8.5 x 11 WHITE 16 POUND NON-BOND RECYCLABLE PAPER. PRINT ON BOTH SIDES, EXCLUDING TEMPLATES. TO BE UNITIZED IN ACCORDANCE WITH GM SPECIFICATIONS.

DATE	REVISION	AUTH	DR
05DE14	Initial Release - Doris Hollins	2096610	

TITLE
INSTALLATION INSTRUCTIONS GMC Winter Fronts Cover Accessory
PART NO. 22808190 SHEET 6 OF 6