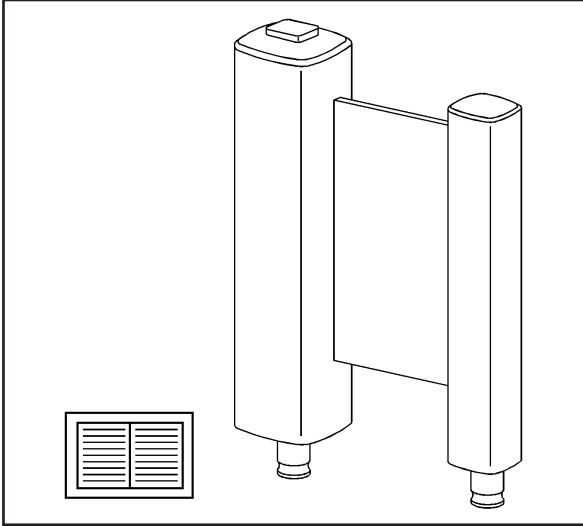
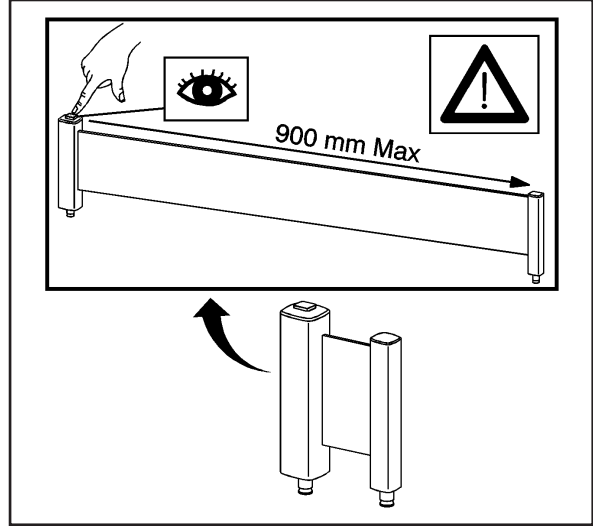


**Cargo Partition Package Installation
(Cargo Partition)**

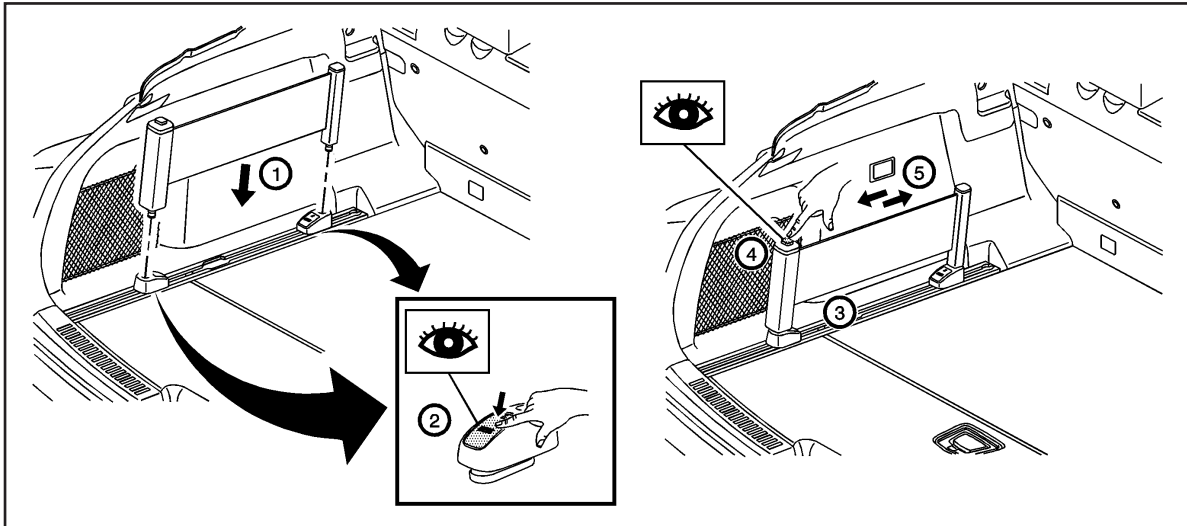
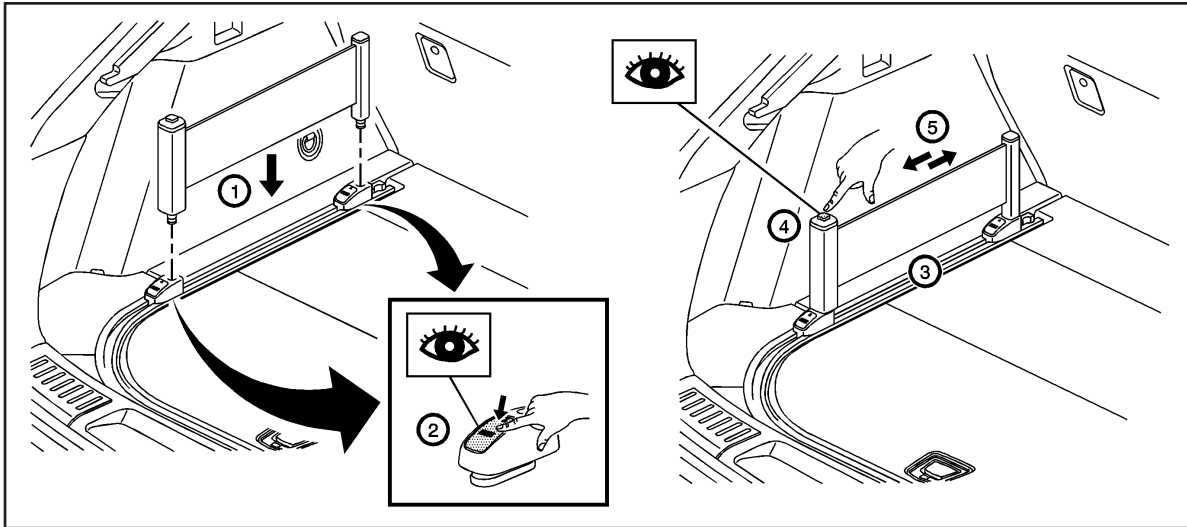
Installation Instructions Part Number
22743388



Kit Contents



Procedure



Cargo Partition

IR 28JL10

PART NO. **22743388**

SHEET **1** OF **3**

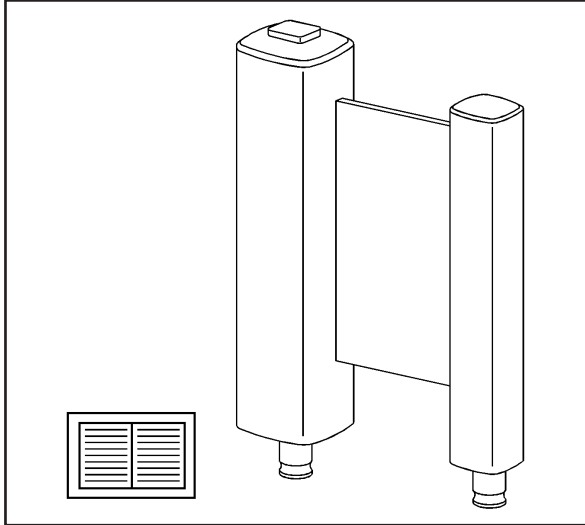
ALL INFORMATION WITHIN ABOVE BORDER TO BE PRINTED EXACTLY AS SHOWN ON 8.5 x 11 WHITE 16 POUND NON-BOND RECYCLABLE PAPER. PRINT ON BOTH SIDES, EXCLUDING TEMPLATES.
TO BE UNITIZED IN ACCORDANCE WITH GM SPECIFICATIONS.

DATE	REVISION	AUTH	DR
28JL10	Initial Release - Jonathon D'Andonaegui Pacheco		

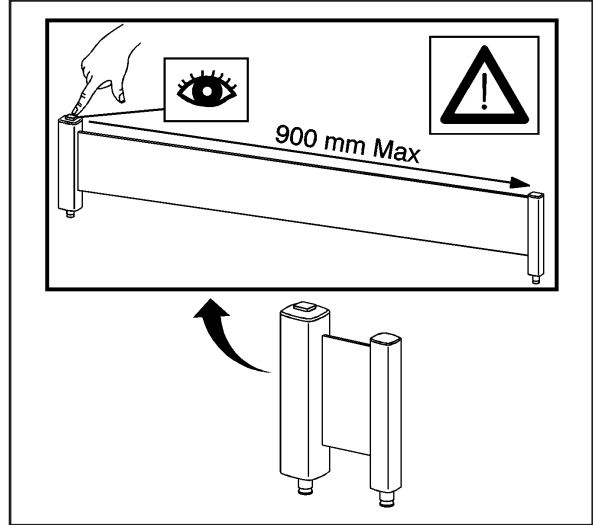
INSTALLATION INSTRUCTIONS Cargo Partition	
PART NO. 22743388	SHEET 1 OF 3

**Cargo Partition Package Installation
(Cargo Partition)**

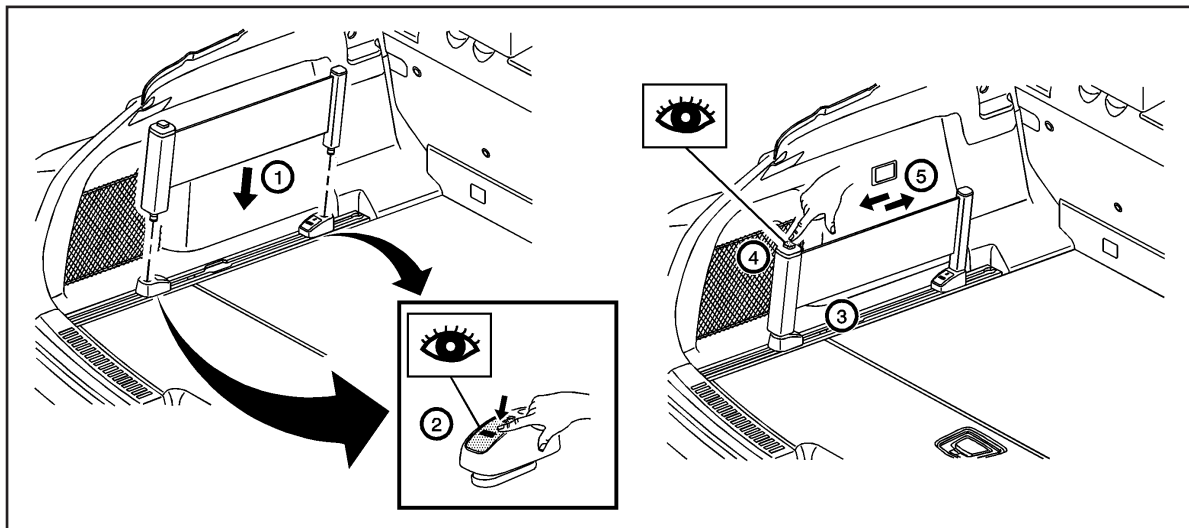
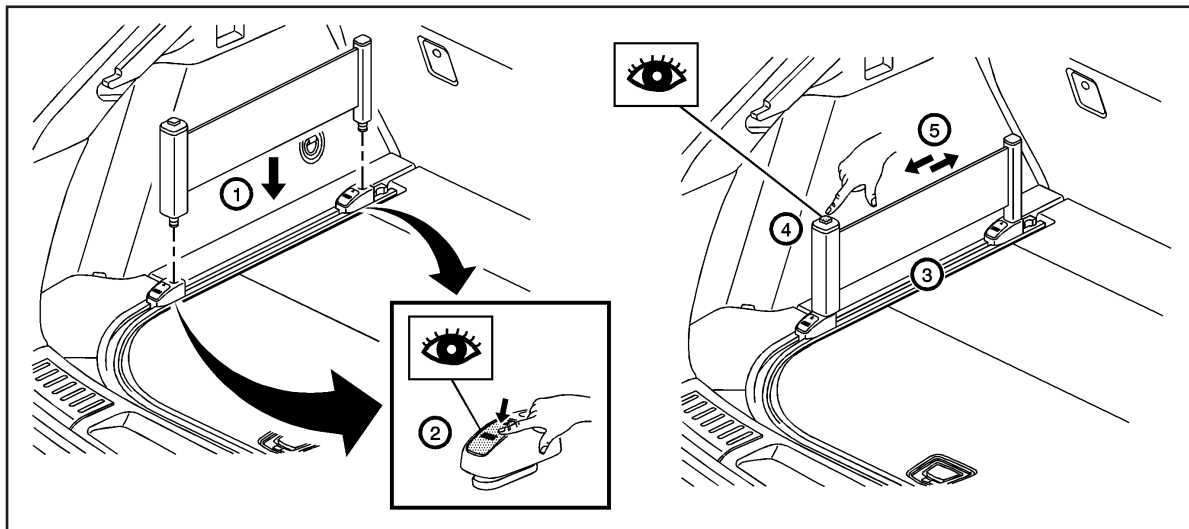
Installation Instructions Part Number
22743388



Kit Contents



Procedure



Cargo Partition

IR 28JL10

PART NO. **22743388**

SHEET **2** OF **3**

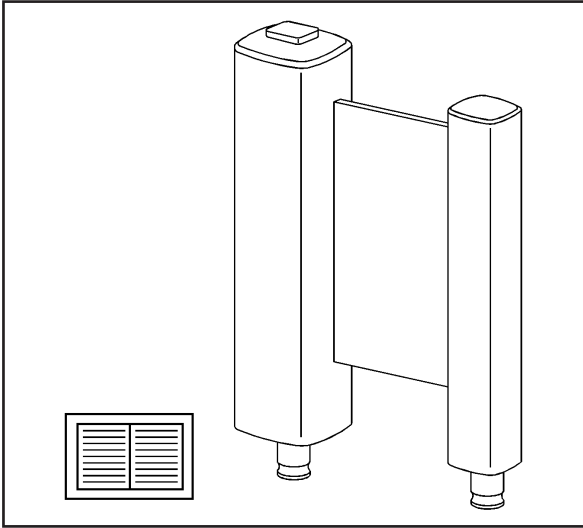
ALL INFORMATION WITHIN ABOVE BORDER TO BE PRINTED EXACTLY AS SHOWN ON 8.5 x 11 WHITE 16 POUND NON-BOND RECYCLABLE PAPER. PRINT ON BOTH SIDES, EXCLUDING TEMPLATES.
TO BE UNITIZED IN ACCORDANCE WITH GM SPECIFICATIONS.

DATE	REVISION	AUTH	DR

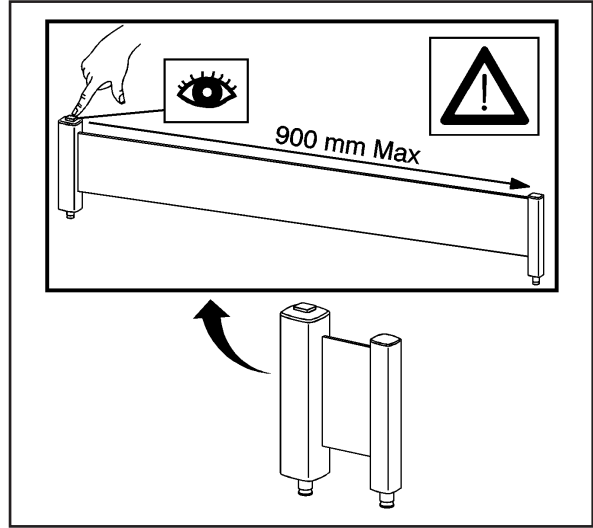
TITLE	INSTALLATION INSTRUCTIONS Cargo Partition		
PART NO.	22743388	SHEET	2 OF 3

**Cargo Partition Package Installation
(Cargo Partition)**

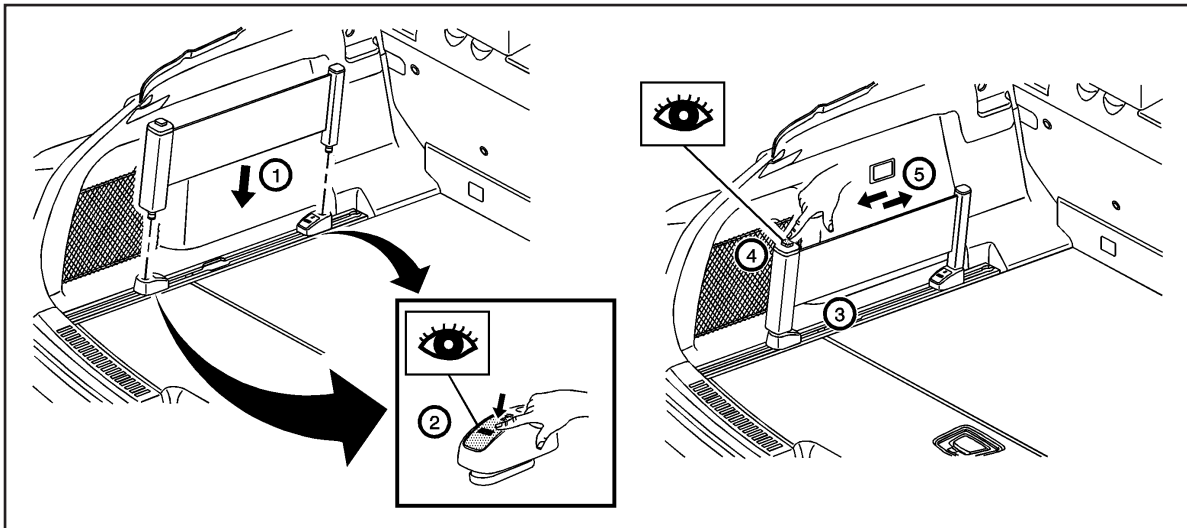
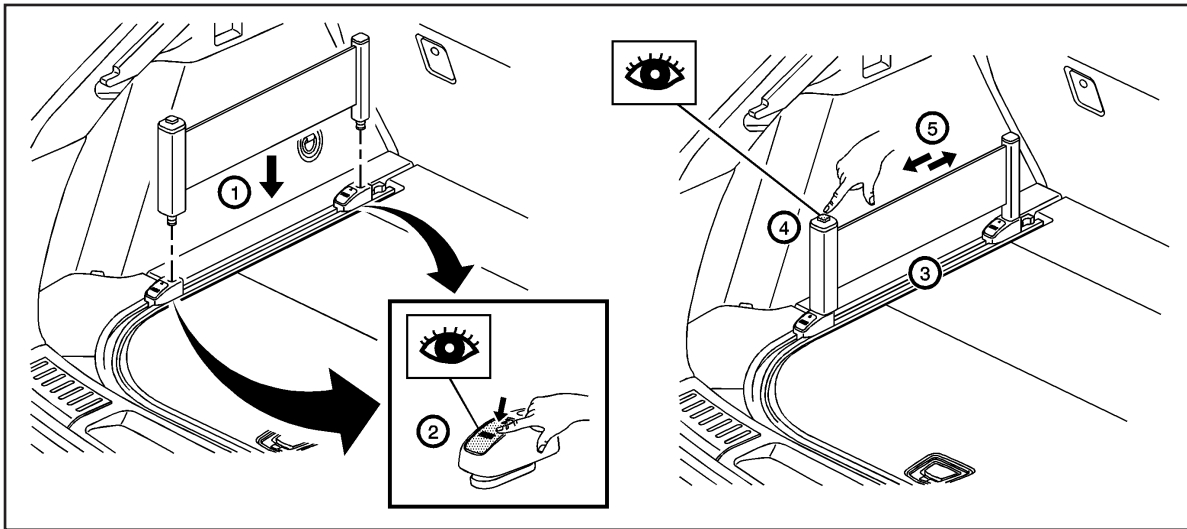
Installation Instructions Part Number
22743388



Kit Contents



Procedure



Cargo Partition

IR 28JL10

PART NO. **22743388**

SHEET **3** OF **3**

ALL INFORMATION WITHIN ABOVE BORDER TO BE PRINTED EXACTLY AS SHOWN ON 8.5 x 11 WHITE 16 POUND NON-BOND RECYCLABLE PAPER. PRINT ON BOTH SIDES, EXCLUDING TEMPLATES.
TO BE UNITIZED IN ACCORDANCE WITH GM SPECIFICATIONS.

DATE	REVISION	AUTH	DR

TITLE	PART NO.	SHEET	OF
INSTALLATION INSTRUCTIONS Cargo Partition	22743388	3	3